

REV.	ECN.NO.	DATE
A		
E		
F		

Pin NO.	Power Name	Pin NO.	Power Name
P1	V3.3	P9	V5
P2	V3.3	P10	GND
P3	V3.3	P11	DAS/DSS
P4	GND	P12	GND
P5	GND	P13	V12
P6	GND	P14	V12
P7	V5	P15	V12
P8	V5		

Pin NO.	Signal Name
S1	GND
S2	A+
S3	A-
S4	GND
S5	B-
S6	B+
S7	GND

Notes:

***Material**

Housing: LCP, UL 94V-0 rated;Color: Black.
 Contact: Phosphor Bronze
 Plating: Au Plating on contact area
 Sn(100u"Min) plating on solder Tail.
 Ni(50u"Min) contact underplating overall.
 Harpoon: Brass
 Plating: Sn(100u"Min)Plating Over Ni(50u"Min)

***Mechanical**

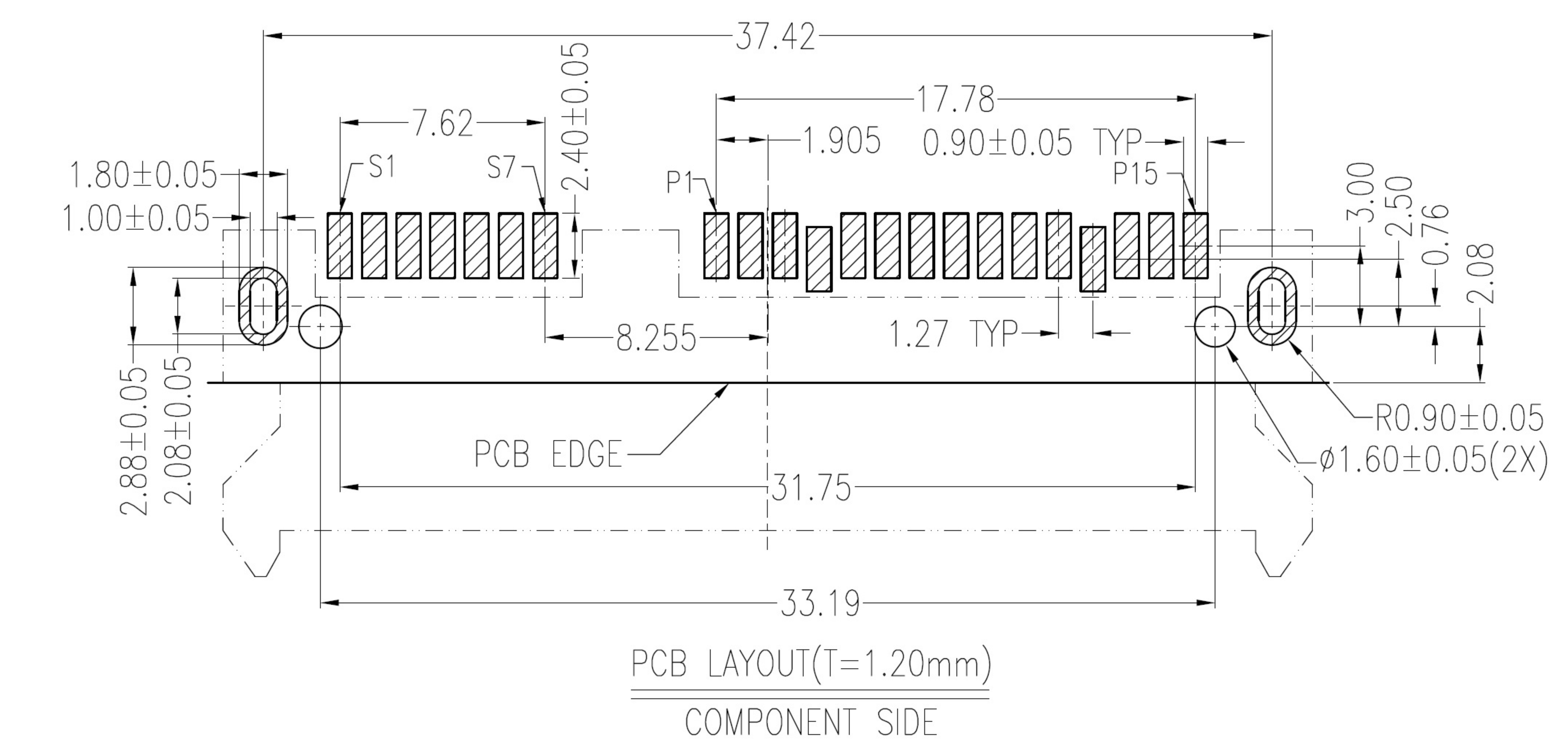
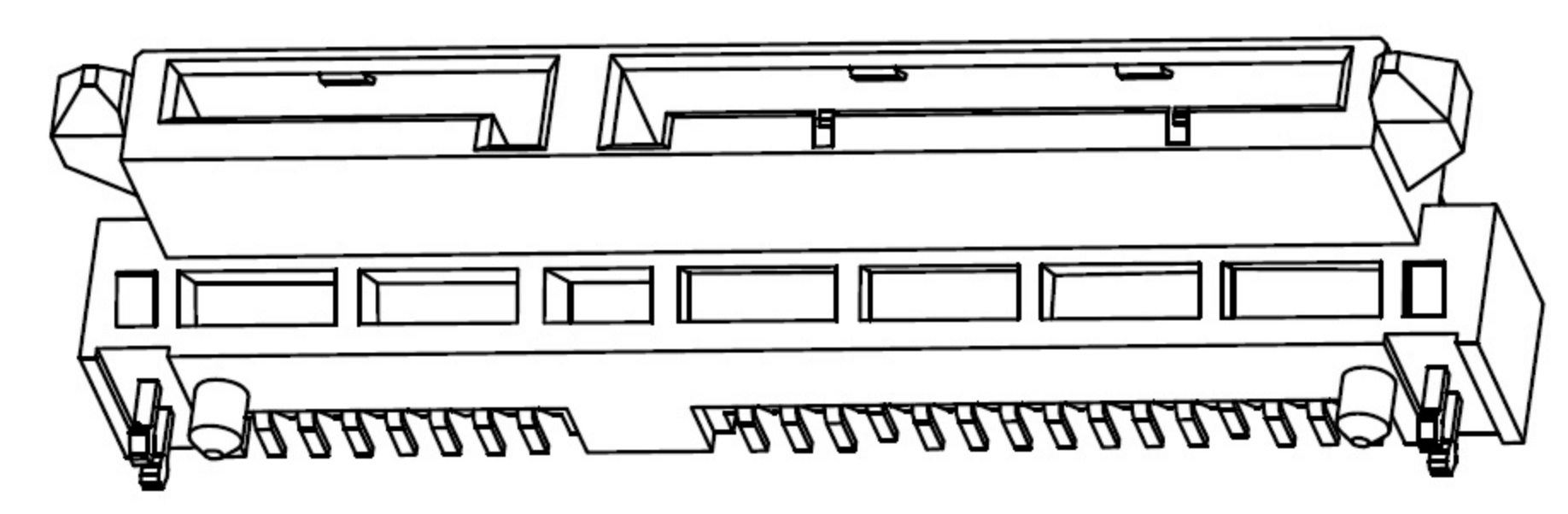
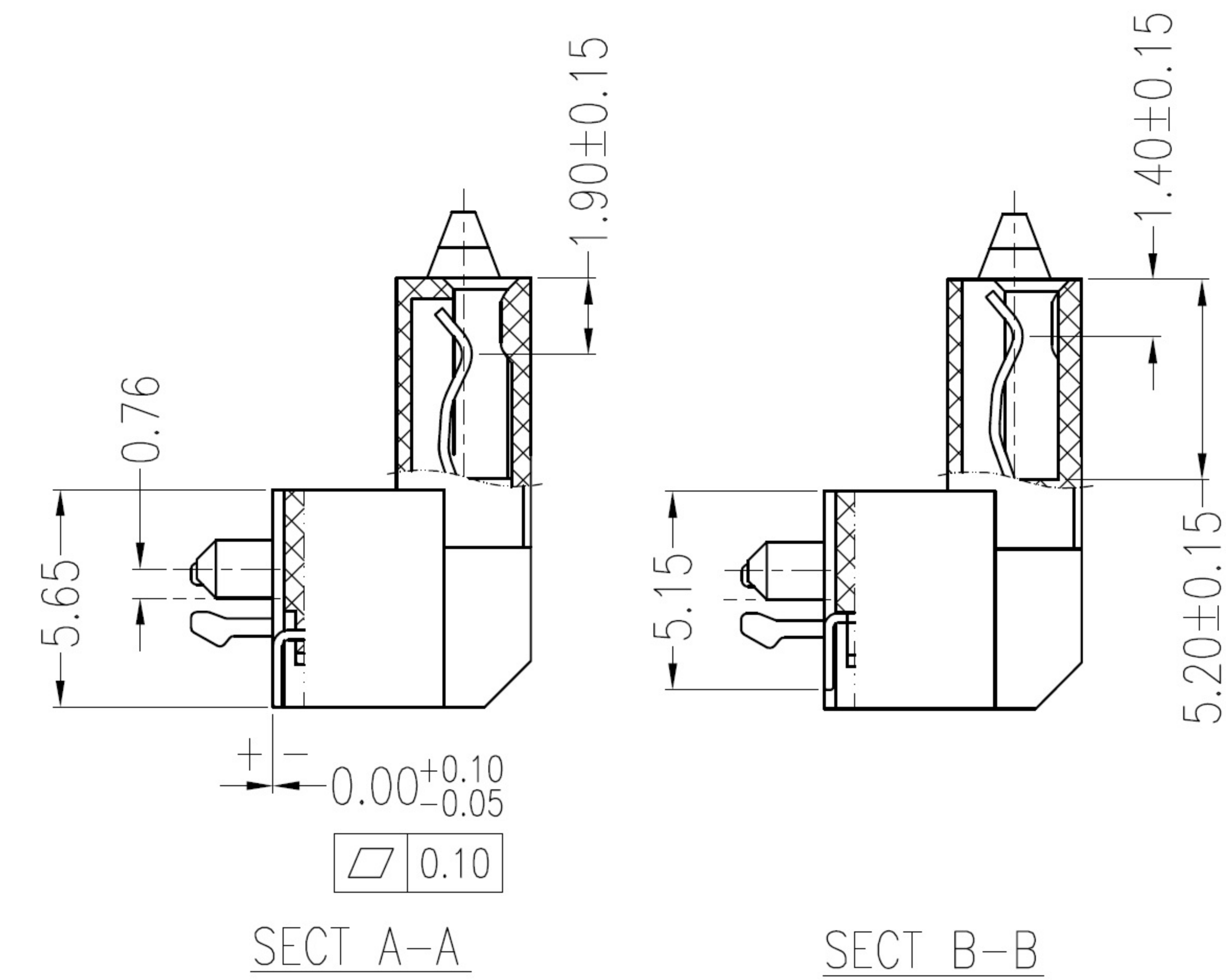
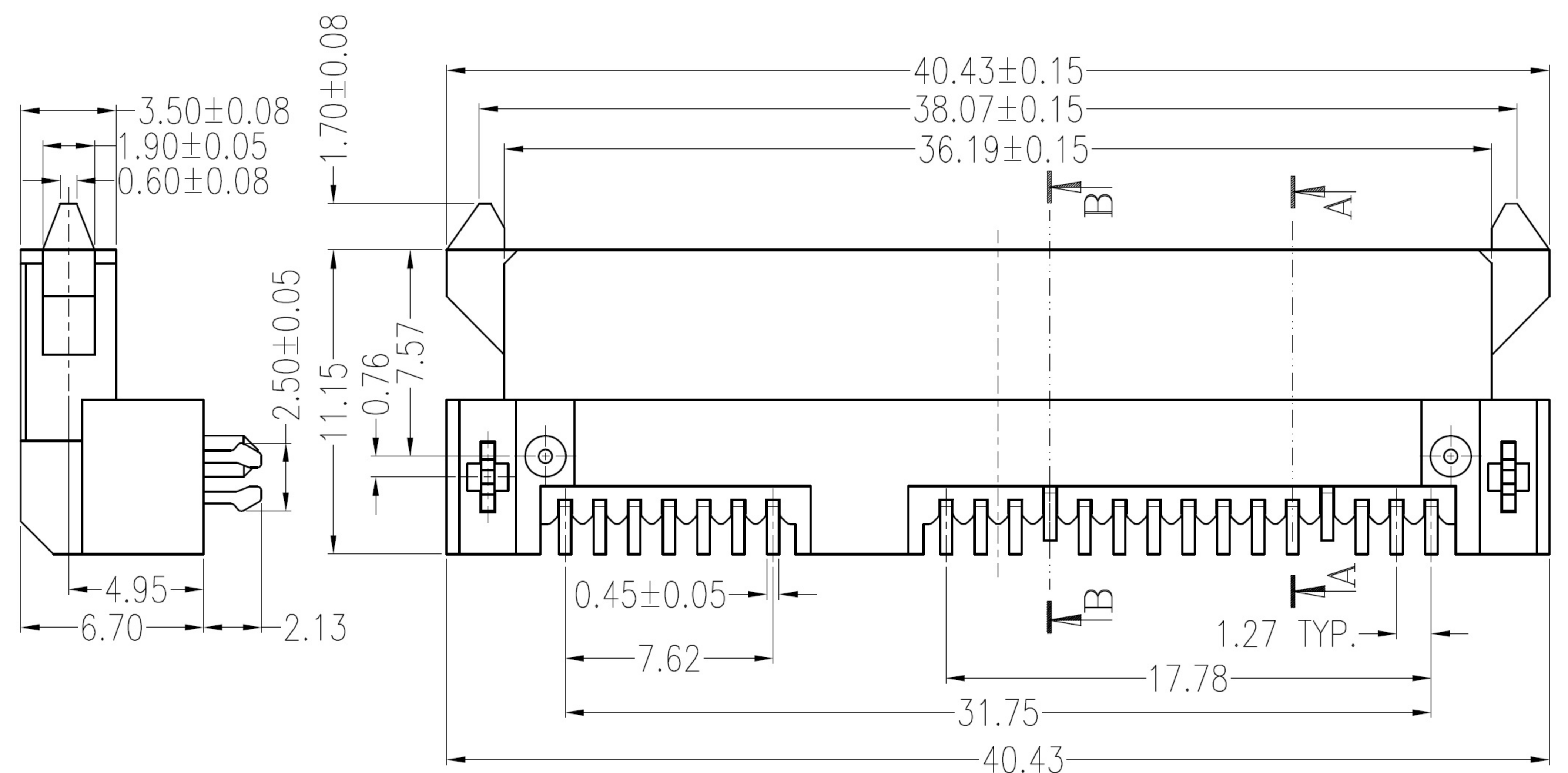
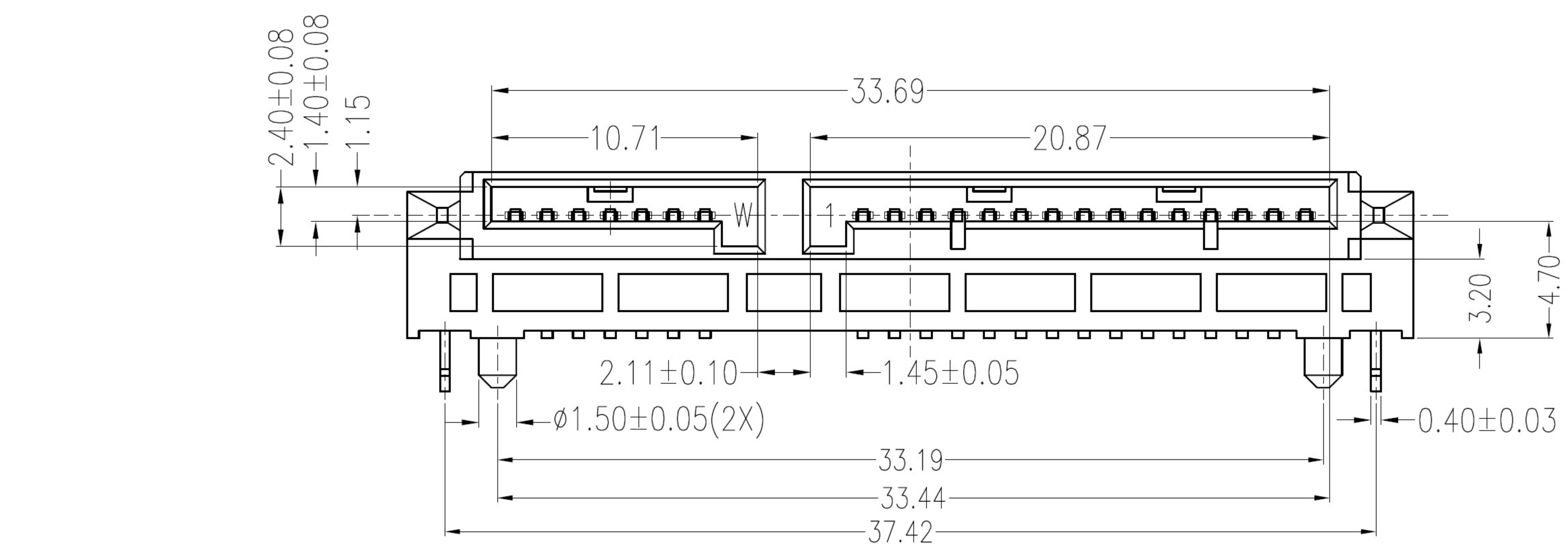
Insertion Force: 45N max.
 Withdrawal Force: 10N min.
 Durability: 500 cycles

***Electrical Specification**

Current Rating: 1.5 Ampere per contact
 Contact Resistance: 30mΩ Max.
 Insulation Resistance: 1000MΩ Min.
 Dielectric Withstanding Voltage: 500 V AC

***Environmental**

Operating Temperature: -55°C to +85°C



REV	Modify plating specifications: Ni (40u" min.) → Ni (50u" min.)			Drawing By		Date		SCHMID-M	
Units	mm	Scale	2:1	David	2018/01/15	Date			
Tolerance Unless Otherwise Specified				Reviewed By		Date		Date	Title SM C07 1130 7+15P SMT
.X ~ ±0.35				Thomas		2018/01/15		Sheet	
.XX ~ ±0.25				Approval By		Date		1 of 1	
.XXX ~ ±0.15				Thomas		2018/01/15		Third Angle Projection	
Angle ~ ± 3°								Drawing No.	REV F